

TOWN OF SHERIDAN
SHERIDAN, NEW YORK 14135
CHAUTAUQUA COUNTY

Certificate of Compliance No. _____

Date Issued _____

Fee \$ _____

APPLICATION FOR INSPECTION OF A SOLID FUEL BURNING APPLIANCE

Applicant _____ Phone _____

Mail Address _____ Zip _____

Owner _____ Phone _____

Mail Address _____ Zip _____

LOCATION OF PROPERTY _____
Street or Road Section, Block, Lot

Type of Appliance _____ Freestanding Stove _____ Hearth Stove
 _____ Fireplace Insert _____ Furnace
 _____ Boiler Other _____

Make _____ Model _____

Type of Listing _____ Building Use _____

Where in Building? _____

Chimney Arrangement _____ Exterior Type of Chimney _____ Masonry
 _____ Interior _____ Metal

Type of Installation _____ Original _____ Replacement

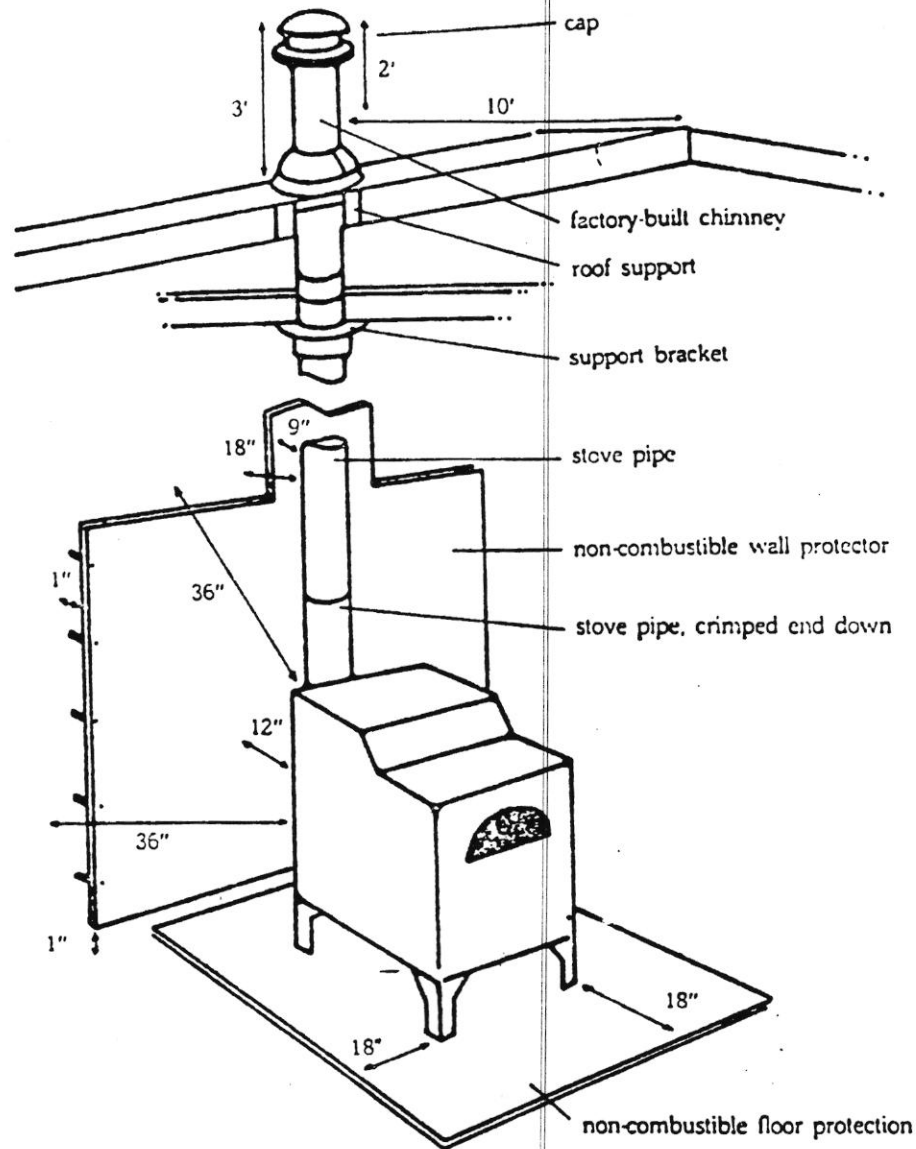
This application is hereby made to the Fire Code Enforcement Official of the Town of Sheridan for the installation of a solid fuel heating appliance and its appurtenances pursuant to Local Law #2 of 1985 and the New York State Uniform Fire Prevention and Building Code. The applicant agrees to comply with all applicable laws, ordinances and regulations. The applicant states that all statements in this application are true to the best of his knowledge and belief.

In addition, application is hereby made for the issuance of a Certificate of Compliance for the solid fuel appliance and installation. The applicant certifies that upon completion of the work described above he will notify the Fire Code Enforcement Official so that the officer can or cause to be made a final inspection of the installation prior to issuing the Certificate of Compliance.

Applicant's Signature _____

Date _____

NFPA Minimum Clearances For Safe Installation



From:	Combustibles	With 3½" masonry wall or 24 gauge sheet metal with 1" airspace
A. Listed Wood Heater		
Front	36"	—
Side, Back	36"	12"
Top	36"	12"
B. Single Wall Connector Pipe (24 gauge or heavier)	18"	9"
C. Chimney Height	3 feet higher than roof; 2 feet higher than any part of roof within 10 feet (measured horizontally).	